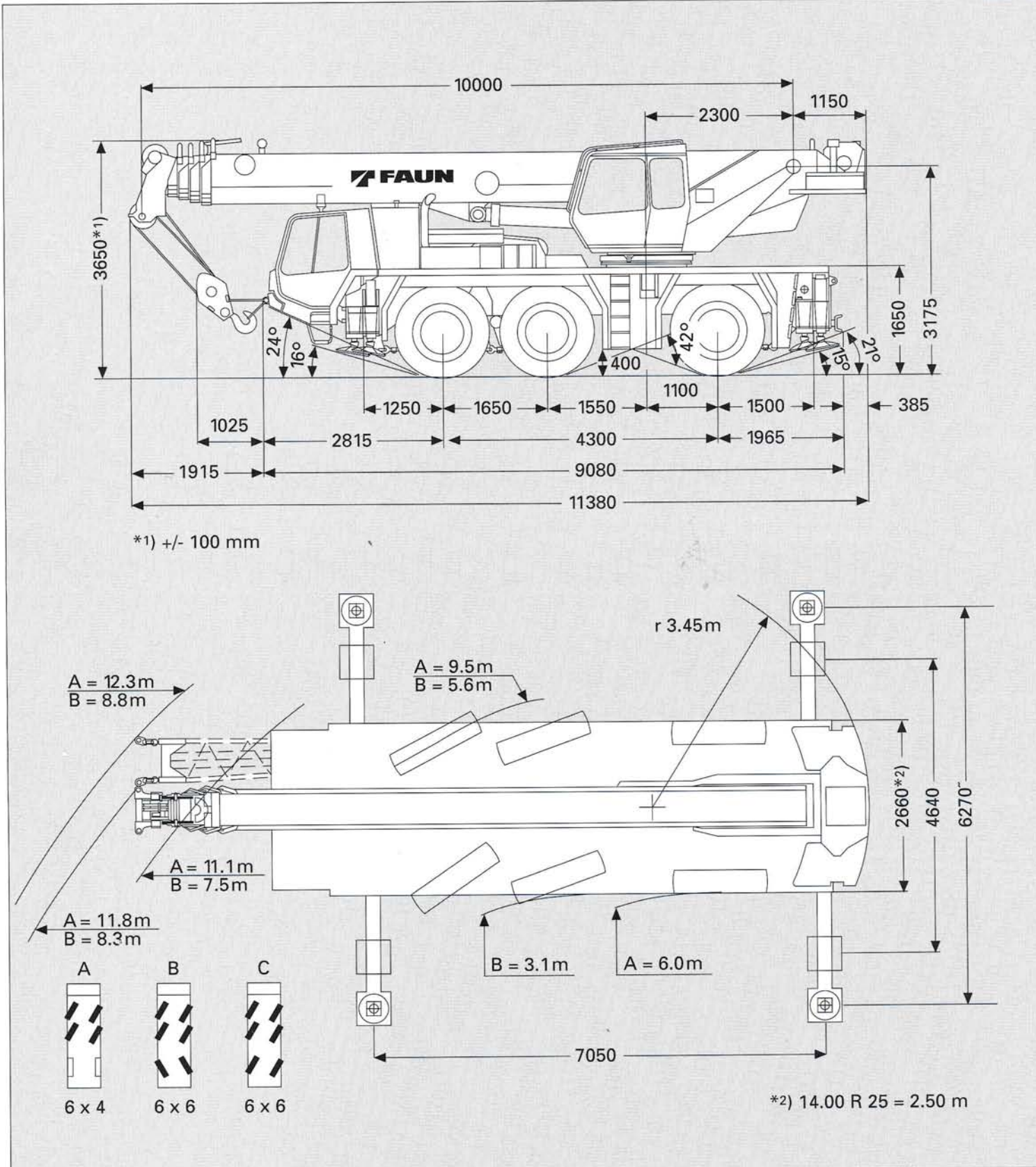
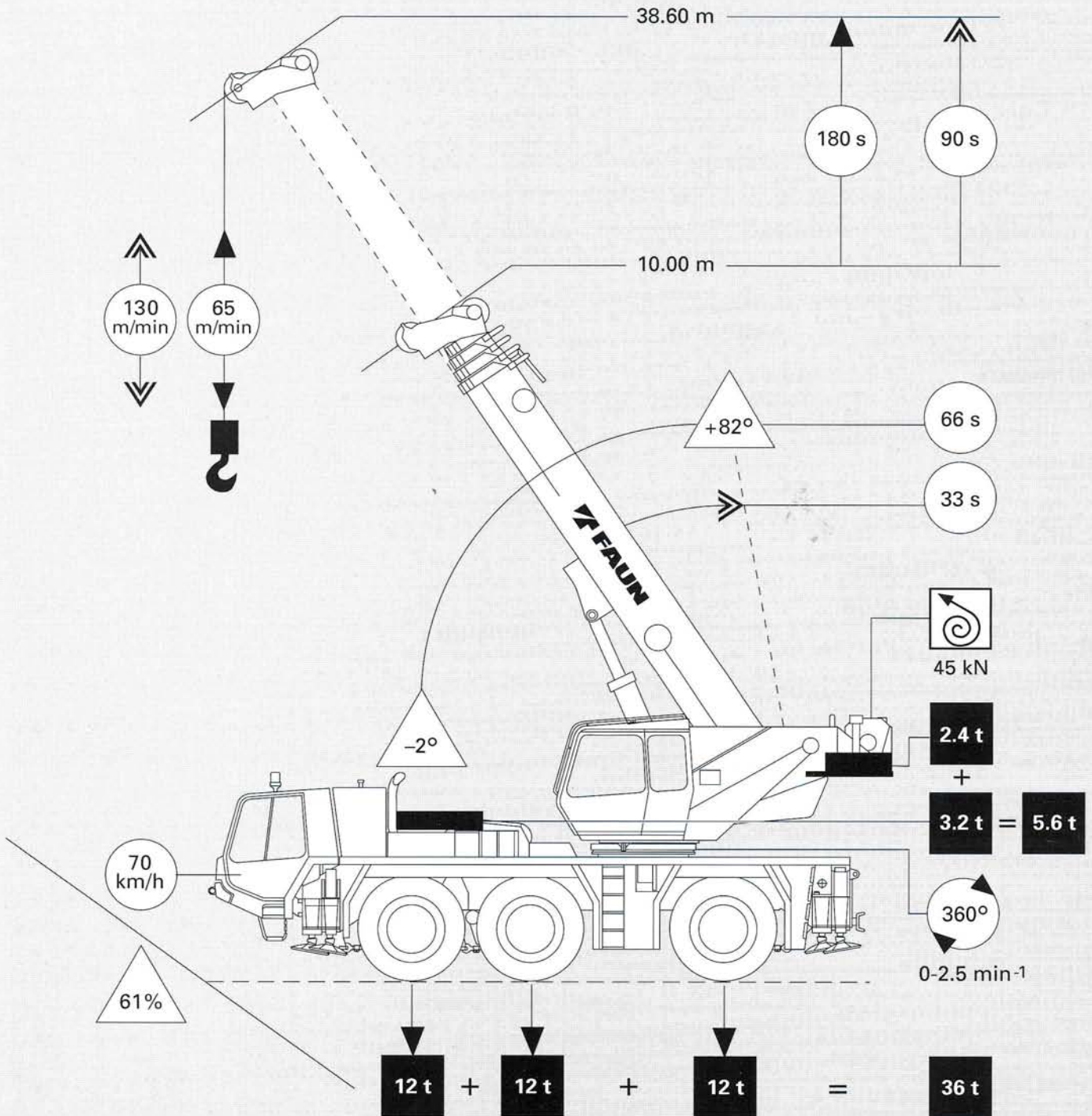
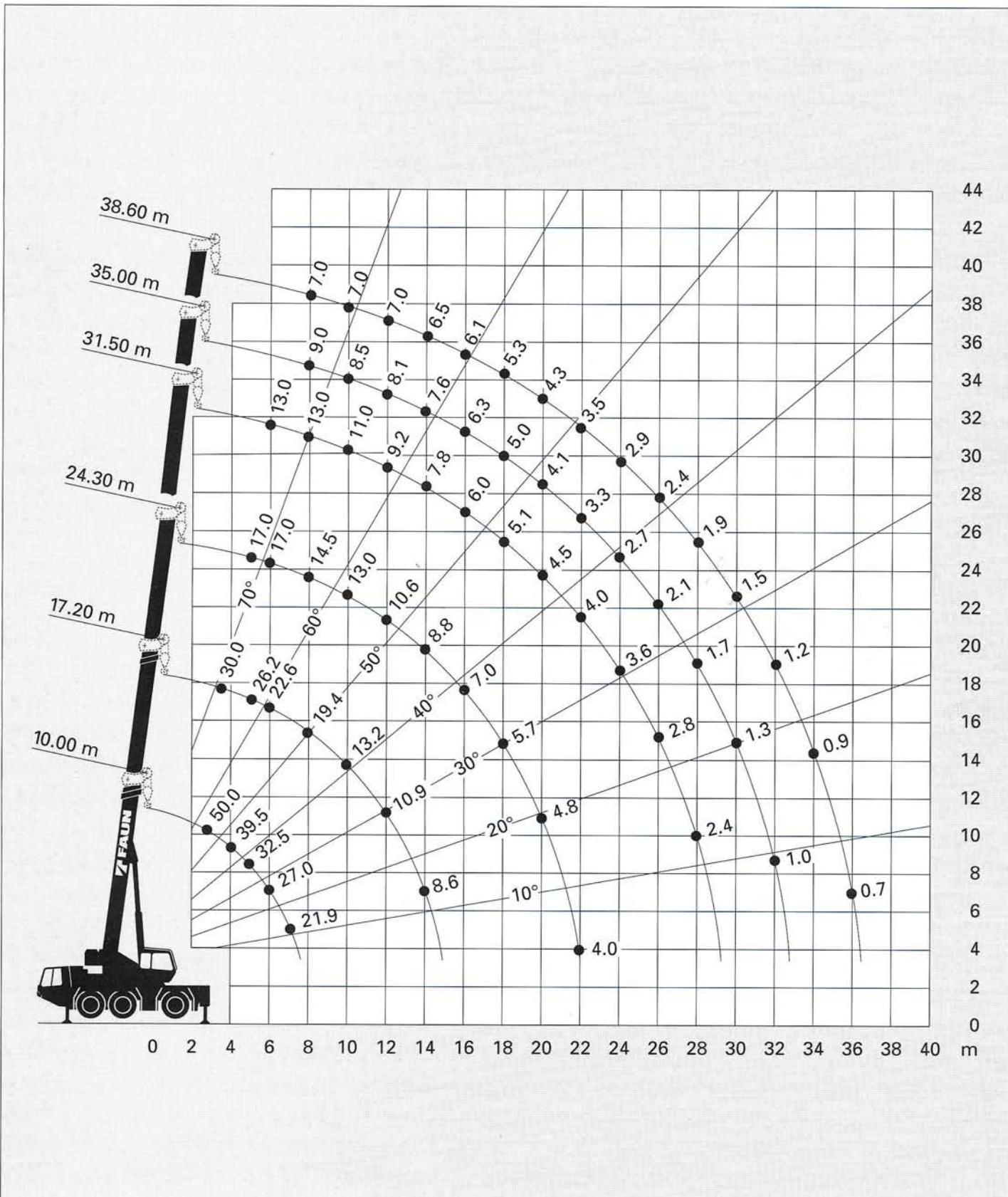
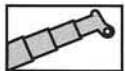


Maße / Dimensions / Dimensions / Dimensiones (mm)  
 Gewichte / Weights / Poids / Pesos  
 Geschwindigkeiten / Speeds / Vitesses / Velocidades

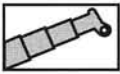




Hubhöhen  
Lifting heights  
Hauteurs de levage  
Alturas de elevación

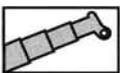


Tragfähigkeiten am Teleskopausleger  
 Lifting capacities on telescopic boom  
 Capacités de levage à la flèche télescopique  
 Capacidades de elevación con la pluma telescópica



| → m  | 10.0 m | 17.2 m | 17.2 m | 17.2 m | 24.3 m | 24.3 m | 24.3 m | 31.5 m | 31.5 m | 35.0 m | 38.6 m |
|------|--------|--------|--------|--------|--------|--------|--------|--------|--------|--------|--------|
| 2.7  | 50.0   |        |        |        |        |        |        |        |        |        |        |
| 3.0  | 47.1   |        |        |        |        |        |        |        |        |        |        |
| 3.5  | 43.8   | 20.0   | 30.0   | 13.0   |        |        |        |        |        |        |        |
| 4.0  | 39.5   | 20.0   | 29.0   | 13.0   |        |        |        |        |        |        |        |
| 4.5  | 35.5   | 20.0   | 27.5   | 13.0   |        |        |        |        |        |        |        |
| 5.0  | 32.5   | 20.0   | 26.2   | 13.0   | 13.0   | 17.0   | 11.8   |        |        |        |        |
| 6.0  | 27.0   | 20.0   | 22.6   | 13.0   | 13.0   | 17.0   | 11.8   | 13.0   | 9.5    |        |        |
| 7.0  | 21.9   | 20.0   | 19.8   | 13.0   | 13.0   | 15.8   | 11.8   | 13.0   | 9.2    |        |        |
| 8.0  |        | 19.4   | 17.5   | 13.0   | 13.0   | 14.5   | 11.8   | 13.0   | 8.8    | 9.0    | 7.0    |
| 9.0  |        | 15.7   | 15.1   | 13.0   | 13.0   | 13.3   | 11.4   | 12.0   | 8.5    | 8.8    | 7.0    |
| 10.0 |        | 13.2   | 12.6   | 13.0   | 13.0   | 12.0   | 11.0   | 11.0   | 8.1    | 8.5    | 7.0    |
| 11.0 |        | 11.2   | 10.6   | 12.5   | 12.2   | 10.9   | 10.5   | 10.1   | 7.7    | 8.3    | 7.0    |
| 12.0 |        | 9.6    | 9.1    | 10.9   | 10.6   | 9.4    | 10.1   | 9.2    | 7.4    | 8.1    | 7.0    |
| 14.0 |        | 7.4    | 6.9    | 8.6    | 8.2    | 7.1    | 8.8    | 7.8    | 6.7    | 7.6    | 6.5    |
| 16.0 |        |        |        |        | 6.4    | 5.3    | 7.0    | 6.0    | 5.8    | 6.3    | 6.1    |
| 18.0 |        |        |        |        | 5.1    | 4.1    | 5.7    | 4.8    | 5.1    | 5.0    | 5.3    |
| 20.0 |        |        |        |        | 4.2    | 3.2    | 4.8    | 3.8    | 4.5    | 4.1    | 4.3    |
| 22.0 |        |        |        |        | 3.5    | 2.5    | 4.0    | 3.1    | 4.0    | 3.3    | 3.5    |
| 24.0 |        |        |        |        |        |        |        | 2.5    | 3.6    | 2.7    | 2.9    |
| 26.0 |        |        |        |        |        |        |        | 1.9    | 2.8    | 2.1    | 2.4    |
| 28.0 |        |        |        |        |        |        |        | 1.5    | 2.4    | 1.7    | 1.9    |
| 30.0 |        |        |        |        |        |        |        |        |        | 1.3    | 1.5    |
| 32.0 |        |        |        |        |        |        |        |        |        | 1.0    | 1.2    |
| 34.0 |        |        |        |        |        |        |        |        |        |        | 0.9    |
| 36.0 |        |        |        |        |        |        |        |        |        |        | 0.7    |

| %   | I | II | III | IV | 0  | 50  | 100 | 0   | 50  | 100 | 0   | 100 | 0   | 100 | 0   | 100 | 100 | 100 | 100 | 100 |
|-----|---|----|-----|----|----|-----|-----|-----|-----|-----|-----|-----|-----|-----|-----|-----|-----|-----|-----|-----|
| I   | 0 | 50 | 100 | 0  | 50 | 100 | 0   | 100 | 0   | 100 | 0   | 100 | 0   | 100 | 100 | 100 | 100 | 100 | 100 | 100 |
| II  | 0 | 50 | 0   | 33 | 50 | 100 | 66  | 100 | 100 | 100 | 100 | 100 | 100 | 100 | 100 | 100 | 100 | 100 | 100 | 100 |
| III | 0 | 0  | 0   | 33 | 50 | 0   | 66  | 50  | 100 | 75  | 100 | 100 | 100 | 100 | 100 | 100 | 100 | 100 | 100 | 100 |
| IV  | 0 | 0  | 0   | 33 | 50 | 0   | 66  | 50  | 100 | 75  | 100 | 100 | 100 | 100 | 100 | 100 | 100 | 100 | 100 | 100 |



| → m  | 10.0 m | 17.2 m | 17.2 m | 17.2 m | 24.3 m | 24.3 m | 24.3 m | 31.5 m | 31.5 m | 35.0 m | 38.6 m |
|------|--------|--------|--------|--------|--------|--------|--------|--------|--------|--------|--------|
| 2.7  | 55.0   |        |        |        |        |        |        |        |        |        |        |
| 3.0  | 50.4   |        |        |        |        |        |        |        |        |        |        |
| 3.5  | 46.7   | 22.0   | 32.0   | 14.0   |        |        |        |        |        |        |        |
| 4.0  | 42.3   | 22.0   | 31.2   | 14.0   |        |        |        |        |        |        |        |
| 4.5  | 38.0   | 22.0   | 29.6   | 14.0   |        |        |        |        |        |        |        |
| 5.0  | 34.8   | 22.0   | 28.2   | 14.0   | 14.0   | 18.5   | 13.0   |        |        |        |        |
| 6.0  | 29.0   | 22.0   | 24.4   | 14.0   | 14.0   | 18.5   | 13.0   | 14.0   | 10.5   |        |        |
| 7.0  | 23.6   | 22.0   | 21.4   | 14.0   | 14.0   | 17.2   | 13.0   | 14.0   | 10.0   |        |        |
| 8.0  |        | 21.0   | 19.0   | 14.0   | 14.0   | 15.8   | 13.0   | 14.0   | 9.6    | 10.0   | 7.7    |
| 9.0  |        | 17.0   | 16.4   | 14.0   | 14.0   | 14.5   | 12.4   | 13.1   | 9.3    | 9.7    | 7.7    |
| 10.0 |        | 14.4   | 13.7   | 14.0   | 14.0   | 13.1   | 11.9   | 12.0   | 8.9    | 9.3    | 7.7    |
| 11.0 |        | 12.2   | 11.6   | 13.5   | 13.3   | 12.0   | 11.4   | 11.1   | 8.4    | 9.1    | 7.7    |
| 12.0 |        | 10.5   | 10.1   | 11.9   | 11.6   | 10.4   | 11.0   | 10.1   | 8.1    | 8.9    | 7.7    |
| 14.0 |        | 8.2    | 7.7    | 9.4    | 9.0    | 7.9    | 9.6    | 8.6    | 7.4    | 8.4    | 7.2    |
| 16.0 |        |        |        |        | 7.1    | 6.0    | 7.7    | 6.7    | 6.4    | 7.0    | 6.8    |
| 18.0 |        |        |        |        | 5.7    | 4.7    | 6.3    | 5.4    | 5.7    | 5.6    | 5.9    |
| 20.0 |        |        |        |        | 4.8    | 3.7    | 5.4    | 4.3    | 5.0    | 4.7    | 4.9    |
| 22.0 |        |        |        |        | 4.0    | 2.9    | 4.5    | 3.5    | 4.5    | 3.8    | 4.0    |
| 24.0 |        |        |        |        |        |        |        | 2.9    | 4.1    | 3.1    | 3.3    |
| 26.0 |        |        |        |        |        |        |        | 2.2    | 3.2    | 2.5    | 2.8    |
| 28.0 |        |        |        |        |        |        |        | 1.7    | 2.7    | 1.9    | 2.2    |
| 30.0 |        |        |        |        |        |        |        |        |        | 1.5    | 1.8    |
| 32.0 |        |        |        |        |        |        |        |        |        | 1.2    | 1.4    |
| 34.0 |        |        |        |        |        |        |        |        |        |        | 1.1    |
| 36.0 |        |        |        |        |        |        |        |        |        |        | 0.8    |

| %   | I | II | III | IV | 0  | 50  | 100 | 0   | 50  | 100 | 0   | 100 | 0   | 100 | 0   | 100 | 100 | 100 | 100 | 100 |
|-----|---|----|-----|----|----|-----|-----|-----|-----|-----|-----|-----|-----|-----|-----|-----|-----|-----|-----|-----|
| I   | 0 | 50 | 100 | 0  | 50 | 100 | 0   | 100 | 0   | 100 | 0   | 100 | 0   | 100 | 100 | 100 | 100 | 100 | 100 | 100 |
| II  | 0 | 50 | 0   | 33 | 50 | 100 | 66  | 100 | 100 | 100 | 100 | 100 | 100 | 100 | 100 | 100 | 100 | 100 | 100 | 100 |
| III | 0 | 0  | 0   | 33 | 50 | 0   | 66  | 50  | 100 | 75  | 100 | 100 | 100 | 100 | 100 | 100 | 100 | 100 | 100 | 100 |
| IV  | 0 | 0  | 0   | 33 | 50 | 0   | 66  | 50  | 100 | 75  | 100 | 100 | 100 | 100 | 100 | 100 | 100 | 100 | 100 | 100 |